

DC-DC Converter

URD_S(D)_(ZD)(K)-25WH2 Series

HenLv

Features

- Wide voltage input 4:1
- DIP、Din-rail series
- Operating temperature range: -40°C~+85°C
- Isolation voltage 1500VDC 0.5mA 1Minute
- Internal SMD design
- Metal shell, highly flame-retardant plastic shell
- Heat dissipation mode: natural air cooling
- It has good shielding anti-interference performance and electromagnetic compatibility, lightning protection, output over current, short circuit protection, overheat protection, self-recovery and other functions

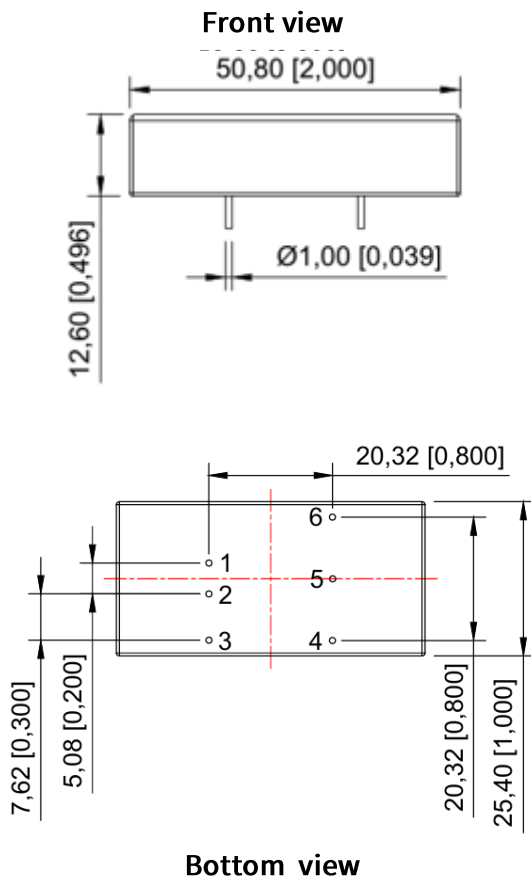
Product Picture



EMC-EN55032
EN55035
LVD-EN62368

Dimensions

URD_S(D)_(ZD)(ZDK)-25WH2 Series Dimensions



Note: The grid distance:2.54*2.54mm

Pin mode		
Pin	Single	Dual
1	Vin	Vin
2	GND	GND
3	CNT	CNT
4	0V	-XXVDC
5	TRM	COM
6	+XXVDC	+XXVDC

Note:

Size unit: mm[inch]

Pin section tolerance: ± 0.1 [± 0.004]

Unmarked tolerance: ± 0.25 [± 0.01]

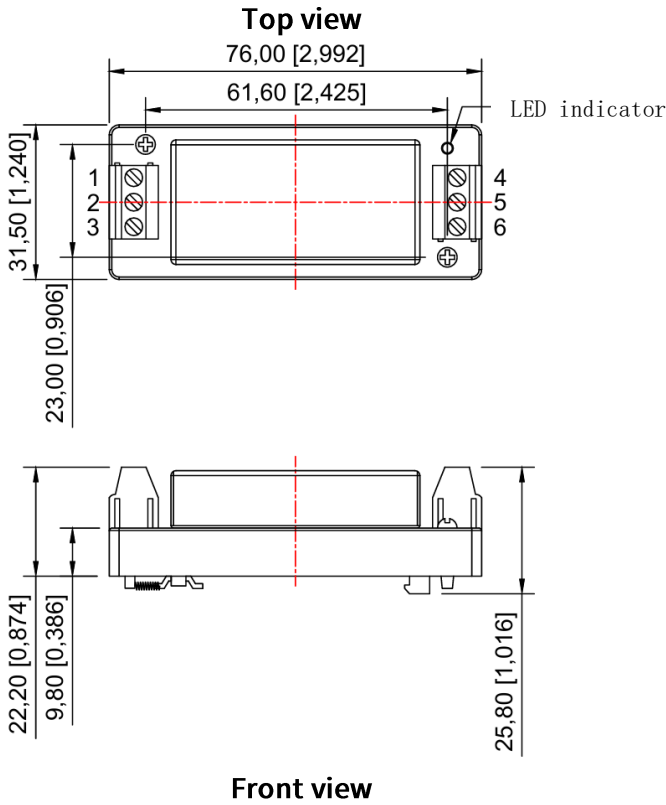
The device layout is for reference only.

HenLv

HenLv Technology (NingBo) Co., Ltd

www.henlv.net 2024.10

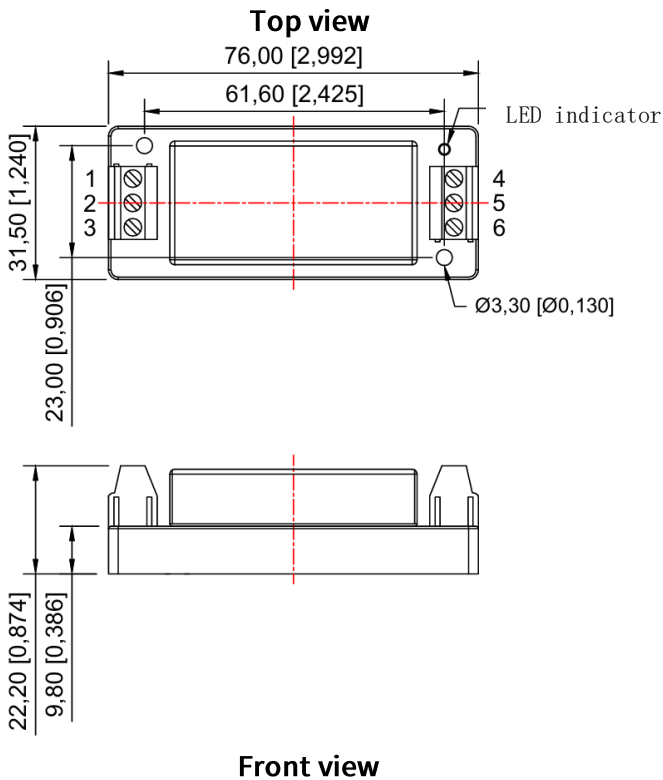
URD_S(D)_ZDK-25WH2 Series Dimensions



Pin mode		
Pin	Single	Dual
1	CNT	CNT
2	GND	GND
3	Vin	Vin
4	0V	-XXVDC
5	TRM	COM
6	+XXVDC	+XXVDC

Note:
 Size unit: mm[inch]
 Unmarked tolerance: $\pm 0.25[\pm 0.01]$
 Wiring strength: 24-12 AWG
 Tightening torque: Max 0.4N-m
 Din-rail type: TS35
 The device layout is for reference only.

URD_S(D)_ZD-25WH2 Series Dimensions



Pin mode		
Pin	Single	Dual
1	CNT	CNT
2	GND	GND
3	Vin	Vin
4	0V	-XXVDC
5	TRM	COM
6	+XXVDC	+XXVDC

Note:
 Size unit: mm[inch]
 Unmarked tolerance: $\pm 0.25[\pm 0.01]$
 Wiring strength: 24-12 AWG
 Tightening torque: Max 0.4N-m
 The device layout is for reference only.

Application

Railway communication, display, monitoring equipment, petrochemical, industrial control, remote DC power supply system and other communication equipment.

Selection Guide

Model	Vin (VDC)	Vout (Vo±2%)	Current (mA)	Efficiency (%)	Isolation (VDC)
URD_S55-25WH2	24(9-36) 48(18-75) 110(40-160)	5	5000	≥84	1500
URD_S12-25WH2		12	2083	≥84	1500
URD_S15-25WH2		15	1667	≥84	1500
URD_S24-25WH2		24	1041	≥85	1500
URD_D55-25WH2		±5	±2500	≥83	1500
URD_D12-25WH2		±12	±1042	≥83	1500
URD_D15-25WH2		±15	±833	≥83	1500
URD_S55ZD(K)-25WH2		5	5000	≥83	1500
URD_S12ZD(K)-25WH2		12	2083	≥83	1500
URD_S15ZD(K)-25WH2		15	1667	≥83	1500
URD_S24ZD(K)-25WH2		24	1041	≥84	1500
URD_D55ZD(K)-25WH2		±5	±2500	≥83	1500
URD_D12ZD(K)-25WH2		±12	±1042	≥83	1500
URD_D15ZD(K)-25WH2		±15	±833	≥83	1500

Note: Our company customizes module power supplies with any input or output for customers. If you have other output voltage requirements, please contact our company. Unless otherwise specified, the input =Vi. The characteristics of the module power supply should comply with the provisions of Table 1 and be applicable to the full temperature range (-40°C≤Tc≤85°C).

Mechanical Specifications

Size	50.80 x 25.40 x 12.60 mm, ZD(K): 76.00 x 31.5 mm
------	--

Electrical Specifications

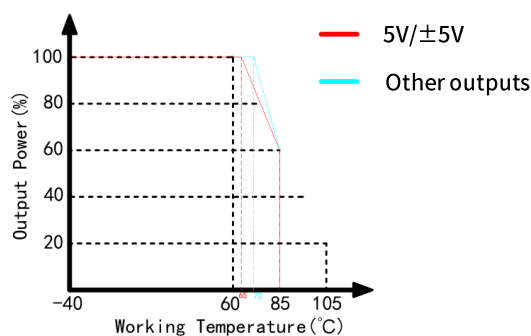
Specifications	Symbol	Conditions V_i , $-40^{\circ}\text{C} \leq T_c \leq 85$ (Unless otherwise specified)	Min	Max	Unit
Output Voltage	V_o	Full Load	$V_o-2\%$	$V_o+2\%$	V
Output Current	$I_{o\max}$	—	—	$P(\text{Power})/$ $U(\text{Output voltage})$	A
Output Ripple voltage	V_{p-p}	Full Load, V_i , BW=20MHz, Normal Temperature	—	240	mV
Output Noise Voltage	V_{p-p}	Full Load, V_i , BW=20MHz, Normal Temperature	—	480	mV
Voltage Regulation	S_v	$V_{i\min}$, V_i , $V_{i\max}$, Full Load	—	± 2	%
Load Adjustment	S_i	V_i , $I_o=(10\% \sim 100\%), 5V, \pm 5V$	—	± 4	%
		V_i , $I_o=(10\% \sim 100\%)$, Other outputs	—	± 2	
Efficiency	η	V_i , Full Load, Normal Temperature	83	—	%
Insulation Resistance	R_I	Input-output, Insulation Voltage 500VDC	1000	—	M Ω

General Specifications

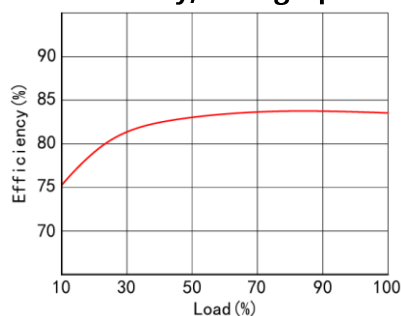
EMC Specifications	Magnetic Field Sensitivity Test	GB6833.2-87
	Electrostatic Discharge Sensitivity Test	GB6833.3-87
	Radiation Sensitivity Test	GB6833.5-87
	Conduction Sensitivity Test	GB6833.6-87
Temperature Drift	$\leq 0.02\%/^{\circ}\text{C}$	
Storage Temperature	$-40^{\circ}\text{C} \sim 125^{\circ}\text{C}$	
Input Frequency	200KHz- 400KHz	
Humidity	10%~90%RH	
MTBF	$> 300000\text{H}$	

Typical Specifications Curves

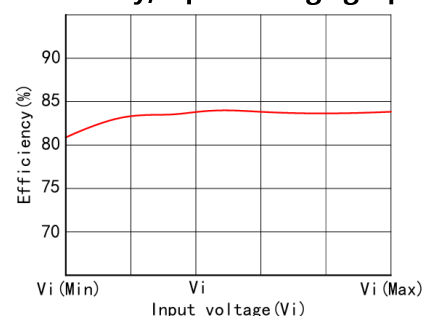
Temperature chart



Efficiency/Load graph

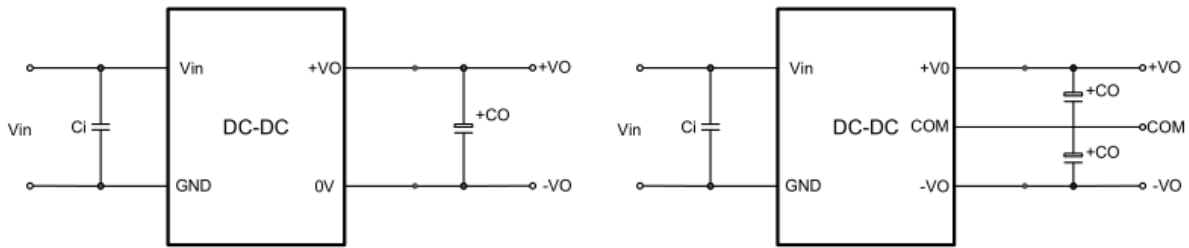


Efficiency/Input voltage graph



Typical Application

Design Reference



Recommendation Test

Filter: In some circuits that are sensitive to noise and ripple, an external filter capacitor can be connected to the DC/DC input and output terminals to reduce the impact of ripple on the system, but the value of the filter capacitor should be appropriate, if the capacitor is too large, it is likely to cause startup problems, for each output, under the condition of ensuring safe and reliable operation, the maximum capacitance of the filter capacitor can be referred to the external capacitance table. In order to obtain very low ripple, an "LC" filter network can be connected to the input and output end of the DC/DC converter, so that the filtering effect will be better, and it should be noted that the size of the inductance value and the frequency of the "LC" filter network should be staggered from the frequency of the DC/DC module power supply to avoid mutual interference. For each output channel, it is advisable to verify the condition of its external capacitor while ensuring safe and reliable operation. For further details, please refer to Table 1.

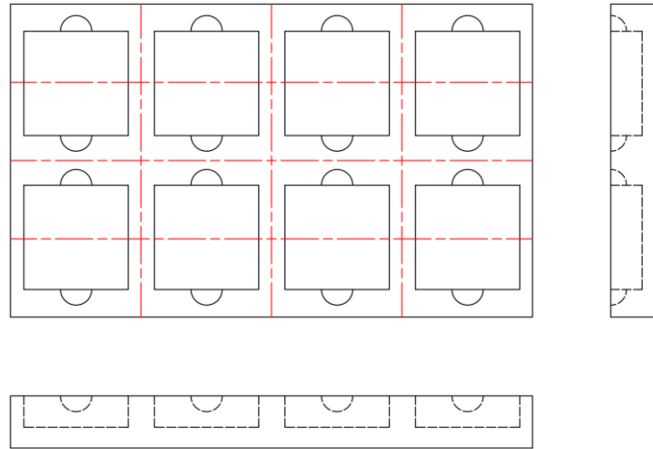
Vin (VDC)	Vout (VDC)	Ci (μF)	Co (μF)
24 (9~36)	5	100μF/50V	47μF/16V
	12/15		22μF/25V
	24		22μF/50V
	±5/±12		22μF/25V
	±15		22μF/50V
48 (18~75)	5	100μF/100V	47μF/16V
	12/15		22μF/25V
	24		22μF/50V
	±5/±12		22μF/25V
	±15		22μF/50V
110 (40~160)	5	47μF/200V	47μF/16V
	12/15		22μF/25V
	24		22μF/50V
	±5/±12		22μF/25V
	±15		22μF/50V

The recommended values for the external filter capacitors are specified in Table 1.

Precautions

Package

This series of modules are packed in shockproof and anti-static foam.



Transport

The package containing the module is allowed to be transported by any means of transport, which should avoid direct rain and snow and mechanical damage.

Storage

The module should be stored in a warehouse where the ambient temperature is -40 degrees ~ 125 degrees, the relative humidity is 10%~90%, and the surrounding environment is free from acidic, alkaline and other harmful gases.

Note: The above are the performance indicators of the product series listed in this manual. Some indicators of non-standard products may exceed the above requirements, so if there is any inconsistency between the manual and the product specification documents, please refer to the specification documents. If you have special needs, please contact us directly.